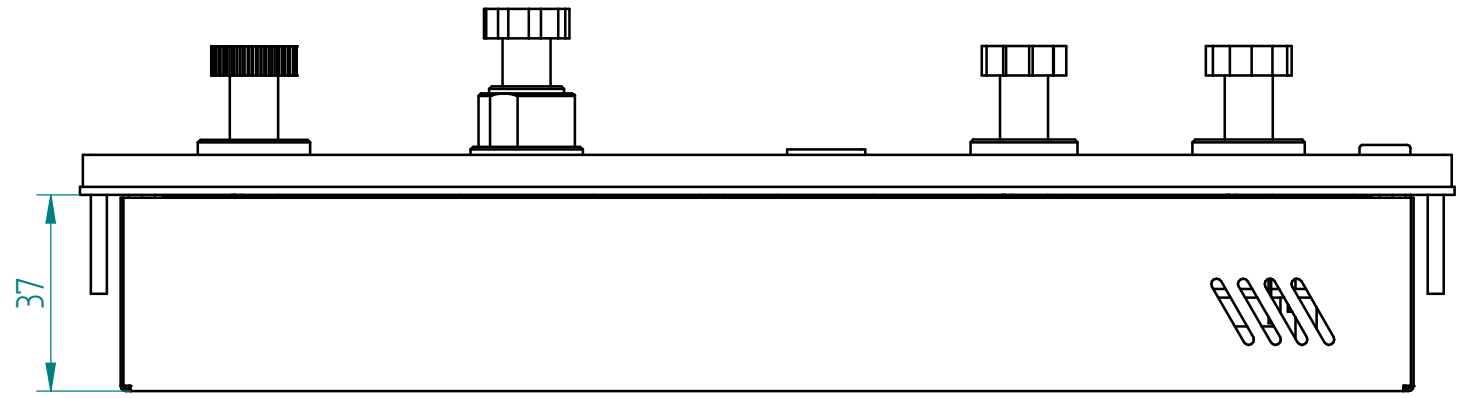
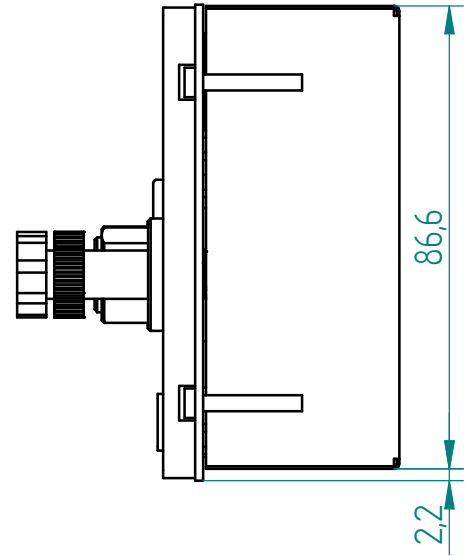
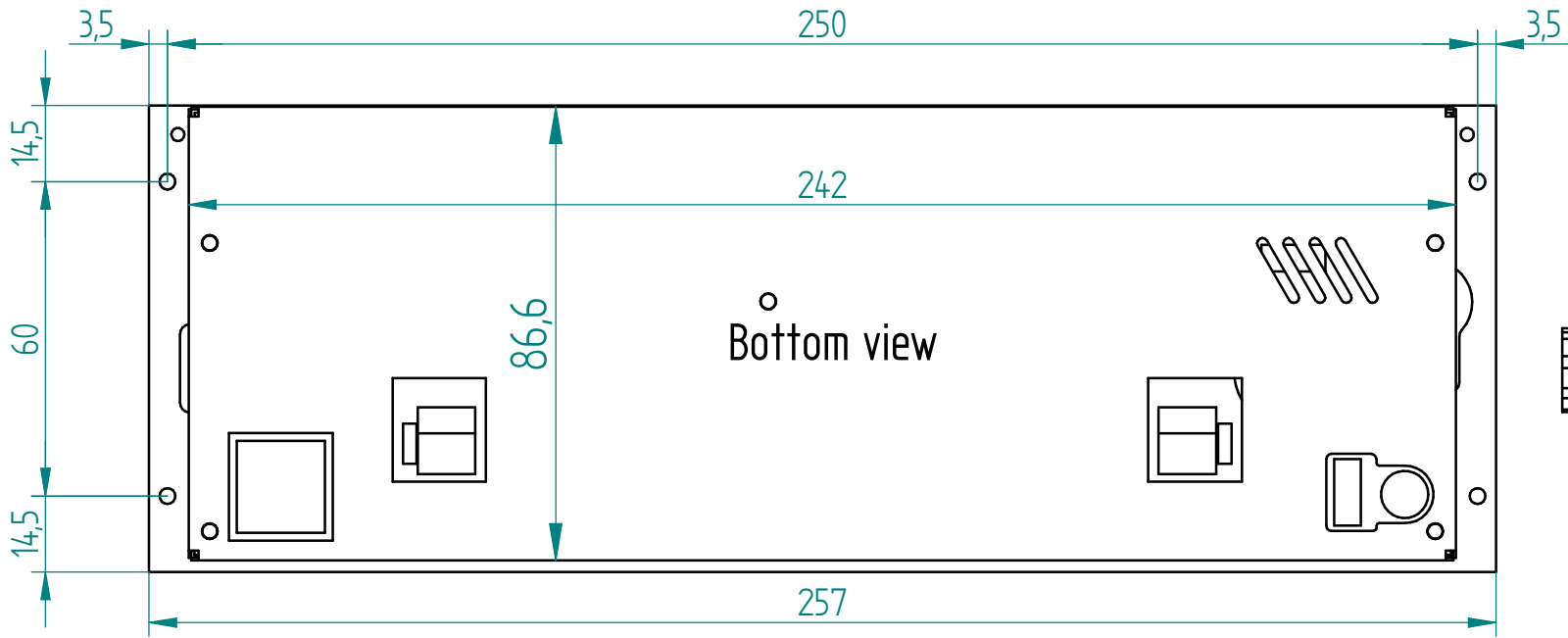


| REVISION HISTORY | | | |
|------------------|-------------|------|----------|
| REV | DESCRIPTION | DATE | APPROVED |
| | | | |



| | | | | | | |
|--|------|------------|---------------------|---------|----------------------|--------|
| | NAME | DATE | CPflight Srl | | | |
| DRAWN | A.C. | 22/03/2022 | | | TITLE | |
| CHECKED | | | | | FCU320PRO dimensions | |
| ENG APPR | | | | | SIZE | DWG NO |
| MGR APPR | | | FCU320PRO | REV | | |
| UNLESS OTHERWISE SPECIFIED DIMENSIONS ARE IN MILLIMETERS Tolerances ±1mm | | | File: FCU320PRO.dft | | | |
| | | | SCALE: | WEIGHT: | | |
| | | | SHEET 1 OF 1 | | | |