

BOEING737 MAX- DIGITAL PRESS CONTROL PANEL



This manual is intended for Flight Simulator use only and may not be used in any real world aviation application. The authors are not responsible for any errors or omissions.

FOREWORD

Thank you for your choice; DIGITAL PRESS CONTROL for OVH737MAX is a full scale replica of Boeing 737 Forward Overhead Digital Press Control panel, look and functionality are reproduced with high details. through this hardware you will meet a realism never experienced before in your flight with Flight Simulator.

Note: This manual contains the latest information at the time of drafting. Due to the continuous evolving of the product some features could be been modified. Eventual later information can be found at CPflight website www.cpflight.com

CPflight modules are produced to meet requirements from the hobby market. The use of our products in professional or commercial environments is not permitted without approval of the CPflight management; please contact us at info@cpflight.com if you need to exploit our products in professional or commercial environments.

IMPORTANT NOTE:

CPflight DIGITAL PRESS CONTROL PANEL is an expansion module intended for CPflight daisy chain connection and it require CPflight ELECTRICAL PANEL to operate. The ELECTRICAL PANEL performs the function of "central unit" for all the other modules that make the overhead. DIGITAL PRESS CONTROL PANEL does not use any computer's inputs like usb port ecc or power supply adapter, it connect through the provided 4 pole flat cable to the ELECTRICAL PANEL that is the only module connected to the ethernet..... ELECTRICAL PANEL, all other B737 overhead panels, frame and Back-cover are available on CPflight website.

DIGITAL PRESS CONTROL PANEL is equipped with:

- Custom high resolution warm white backlighting frontplate
- 7 Segment white disply for FLT ALT and LAND ALT regulation
- VALVE backlighted gauge
- 3 position switch to set OPEN/CLOSE Valve
- Boeing style BACKLIGHTED knob for AUTO/ALTN/MAN selection
- Painted 1/4 Turn Original Fastners (6 pieces provided)
- Provided with a 4 pole cable for daisy chain interface with the main module (Boeing737 ELECTRICAL PANEL)
- Compatible with Prosim737 V3, Project Magenta, PMDG737NGX, PMDG737NGX series and iFly737. Time by time could be add new compatibility.

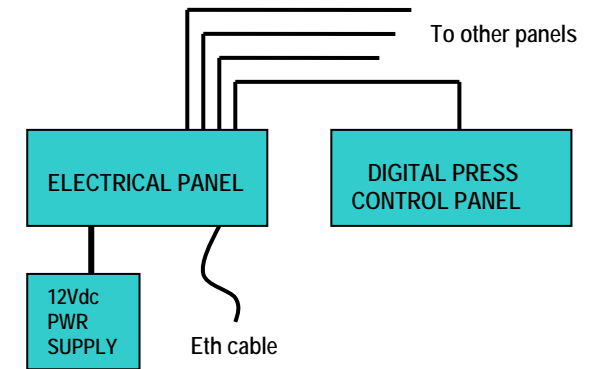
HOW CONNECT

Connect the DIGITAL PRESS CONTROL PANEL to the ELECTRICAL PANEL using the provided 4 pole.

Connection is very simple and thanks to a guided insertion key on the connector is not possible to reverse the cable polarity (see red circle in the pictures on the next page). The cable can be connected to any of the of the connectors arranged on ELECTRICAL PANEL.



CONNECTIONS DIAGRAM



DIMENSIONS

